

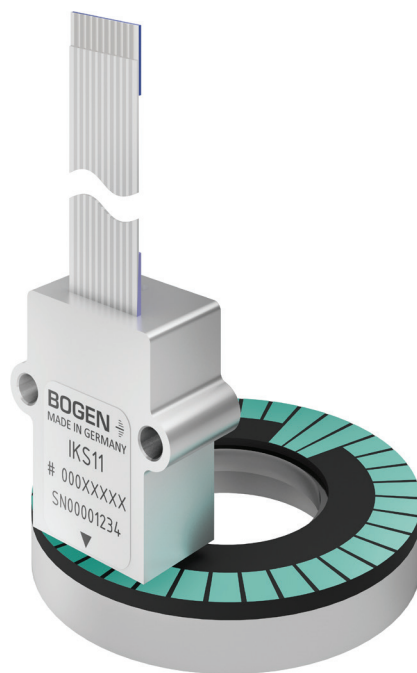
IKS11 Incremental Magnetic Sensing Head

With the compact incremental magnetic sensing head IKS11, BOGEN offers superb performance in a small form factor. If space is decisive IKS11 is an excellent choice. IKS11 is the preferred choice for automation, instrumentation and motion control applications. In combination with BOGEN precision scales, measurement solutions for almost every application can be custom-tailored.

compact
size

rotary and
linear
applications

scales with or
without
index



Features and Benefits

- all important operating parameters can be reconfigured by the user at any time
- LEDs indicating input signal quality, error and configuration mode
- extra small size for implementation in confined spaces
- wide range of resolution options available
- no wear due to non-contact operation

Features

resolution	0.020 to 500µm, depending on pole pitch and interpolation
energy consumption (without load)	tbc
operating temperature	- 40 to + 125 °C
storage temperature	- 40 to + 150 °C
adjustable parameters	resolution, maximum output frequency, signal conditioning, filter characteristic, pole pitch, error masks, ABZ or UVM output

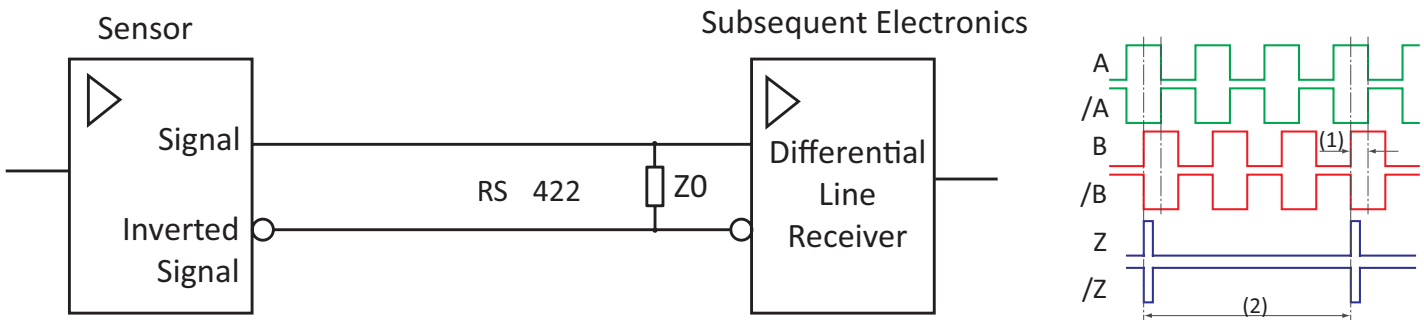
Sensing Head Variants

pole pitch (mm)	1, 2, 2.54, 5
reference	periodic reference signal from the pole pitch or from reference marks, requires 2-track magnetic tape with incremental track and reference track
supply voltage	5 V ± 10% (3.3 V on request)
interface (without load)	RS422 (0 to Vcc) push-pull TTL (0 to Vcc)

Output Circuit

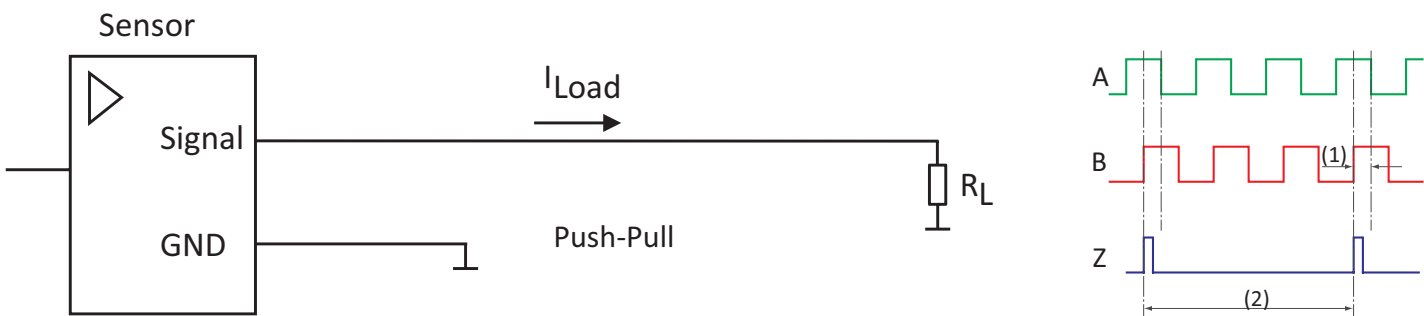
RS422

load resistor $Z_0 = 120 \Omega$ at receiving end



Push-Pull (TTL)

maximum of 50 mA per channel at a supply voltage of 5 V

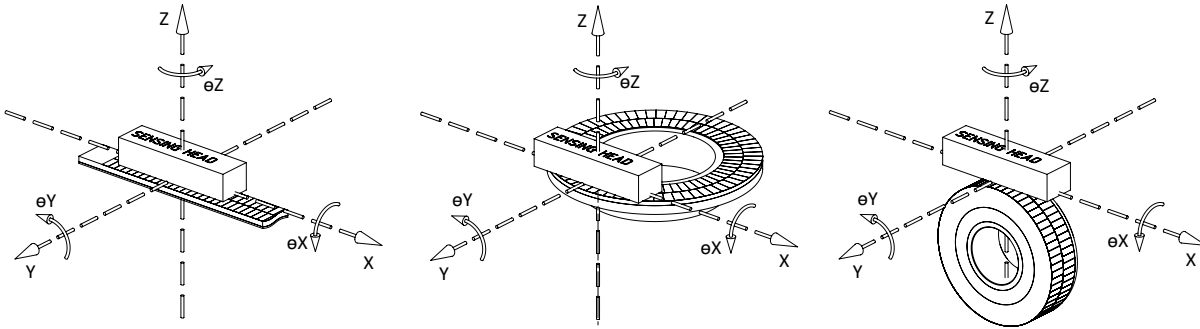


(1) phase shift A and B $90^\circ \pm 10^\circ$ electrical
 (2) signal period depending on the reference track pattern
 Z length default is 4 counts

Output Signals

signals	A, /A, B, /B, Z, /Z; optional: U, /U, V, /V, W, /W
signal error indicator	red LED shines, if device overheats all outputs are switched off

Installation Tolerances



	pole pitch			
	1 mm	2 mm	2.54 mm	5 mm
Z	0.1 to 0.5 mm	0.1 to 1.0 mm	0.1 to 1.25 mm	0.1 to 2.5 mm
Y	0.5 mm	0.5 mm	0.5 mm	0.5 mm
e_Y	1°	1°	1°	1°
e_X	3°	3°	3°	3°
e_Z	3°	3°	3°	3°

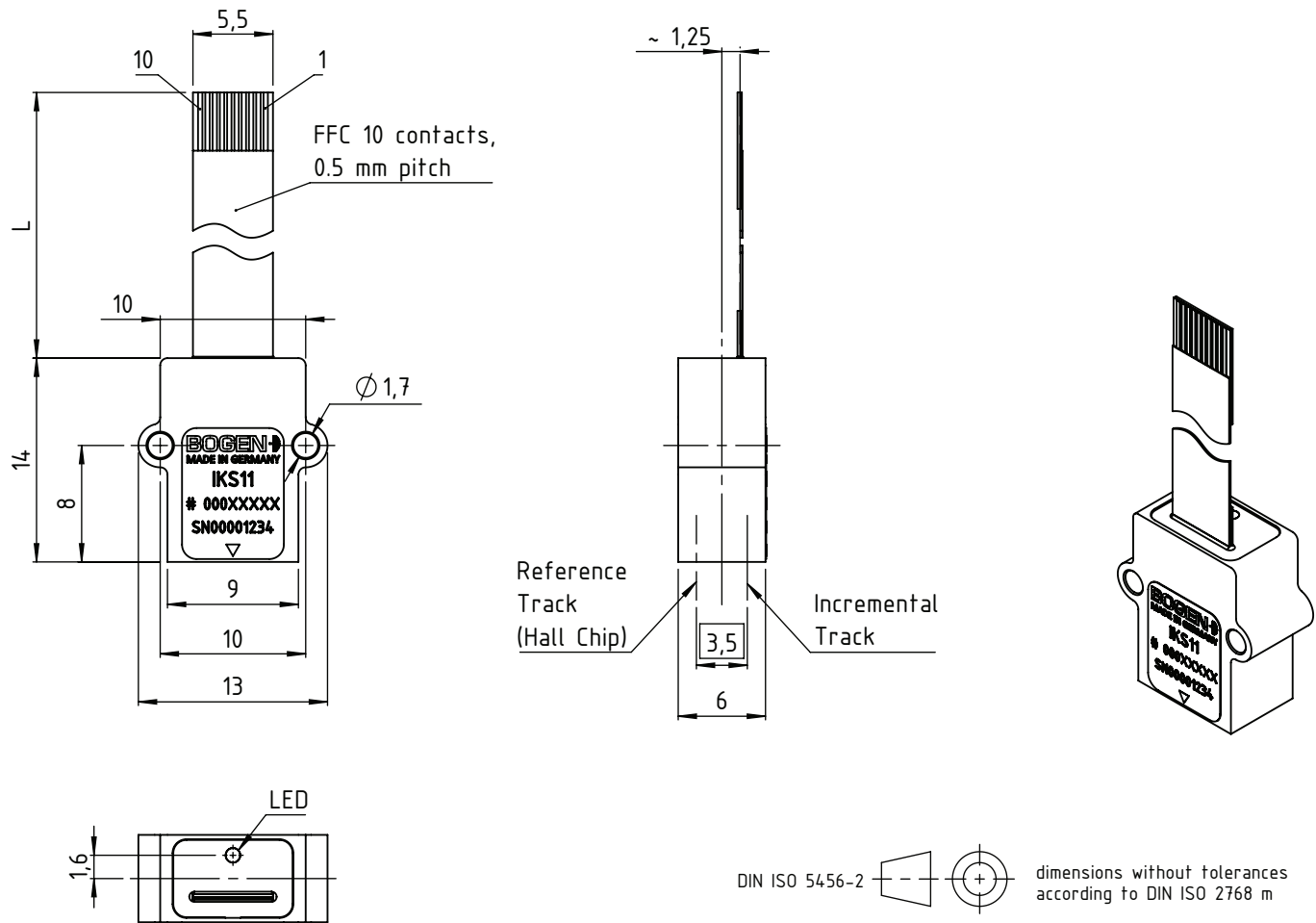
Further Selection (Ordering Parameters)

pole pitch P [mm]				resolution R [μm]	resolution Rdpi [dpi]	maximum output frequency per channel F [kHz]					
1	2	2.54 (0.1 in)	5			3500	1750	1000	500	100	60
						max. movement speed Vmax [m/s]					
			x	1250	20.32	>100	>100	>100	>100	>100	>100
	x		x	500	50.8	>100	>100	>100	>100	>100	>100
x	x		x	200	127	>100	>100	>100	>100	80	48
x	x		x	100	254	>100	>100	>100	>100	40	24
	x			80	317.5	>100	>100	>100	>100	32	19.2
x	x		x	62.5	406.4	>100	>100	>100	>100	25	15
x	x		x	50	508	>100	>100	>100	>100	20	12
x	x		x	40	635	>100	>100	>100	80	16	9.6
x	x		x	25	1016	>100	>100	>100	50	10	6
x	x	x	x	20	1270	>100	>100	80	40	8	4.8
x	x	x	x	12.5	2032	>100	87.5	50	25	5	3
x	x	x	x	10	2540	>100	70	40	20	4	2.4
x	x	x	x	5	5080	70	35	20	10	2	1.2
x	x	x	x	4	6350	56	28	16	8	1.6	0.96
x	x	x	x	2.5	10160	35	17.5	10	5	1	0.6
x	x	x	x	2	12700	28	14	8	4	0.8	0.48
x	x	x	x	1	25400	14	7	4	2	0.4	0.24
x	x	x	x	0.5	50800	7	3.5	2	1	0.2	0.12
x	x	x	x	0.25	101600	3.5	1.75	1	0.5	0.1	0.06
x	x	x	x	0.125	203200	1.75	0.875	0.5	0.25	0.05	0.03
x	x	x		0.05	508000	0.7	0.35	0.2	0.1	0.02	0.012
x	x			0.02	1270000	0.28	0.14	0.08	0.04	0.008	0.0048

table 1: maximum output frequency and speed as a function of pole pitch and resolution

R	resolution (resolution is post quadrature), $R = P / R_f$	F	max. output frequency per channel (from 60 kHz to 3500 kHz)
P	pole pitch, available 0.5, 1, 2, 2.54, 5 mm	Vmax	max. movement speed, V _{max} is limited by following formulas: $V_{max} = 4 * F * R$ and $V_{max} = P * 50 \text{ kHz}$
Rf	resolution factor (resolution factor available from 4 to 65536 in integer increments of one)	Rdpi	resolution [dpi], $Rdpi = 25400 / R$

Dimensions



pin no.	1	2	3	4	5	6	7	8	9	10
signal	!PROG	SDO	/Z	Z	/B	B	/A	A	V+	V-

LED Signaling

The RGB-LED of the IKS11 lights blue if the head is in programming mode. It lights red if there is an error. Error types activating the LED can be configured. LED lights green to show an active input signal, the brightness indicates the quality of the input signal.

Programming Mode

The user may change the configuration of the IKS11 by setting it into programming mode. The 5V supply version of the IKS11 is set into programming mode by holding the !PROG input LOW. The 3V supply version overdrives A and /A outputs.

Magnetic Sensing Head Order Code Parameters

IKS11 - Z - P - D - R - F - L

		code	explanation ⁽⁶⁾
Z	reference signal ⁽⁷⁾	Z1. ...	periodic reference signal from the pole pitch, length of reference signal ... counts ⁽⁸⁾
		Z2. ...	from reference marks, requires 2-track magnetic tape with incremental track and reference track, length of index signal 1, 2 or 4 counts ⁽⁸⁾
P	pole pitch [mm]	P1	1 mm
		P2	2 mm
		P2.54	2.54 mm
		P5	5 mm
D	interface	D1	RS422 ABZ
		D2	RS422 UVW
		D3	TTL ABZ
		D4	TTL UVW
R	resolution [µm]	R0.5	0.5 µm resolution, standard for a pole pitch of 1 mm
		R1	1 µm resolution, standard for a pole pitch of 2 mm
		R...	other non-default resolutions, see section "Resolution and Speed" in table 1 on page 3
F	maximum output frequency per channel [kHz]	F1000	output frequency 1000 kHz
		F...	other non-default output frequencies, see section "Resolution and Speed" in table 1 on page 3
L	length	L100	length of FFC
		L300	

⁽⁶⁾ default parameters are bold

⁽⁷⁾ if no index signal is needed, please do not connect pin "Z" an "/Z" on delivered connector

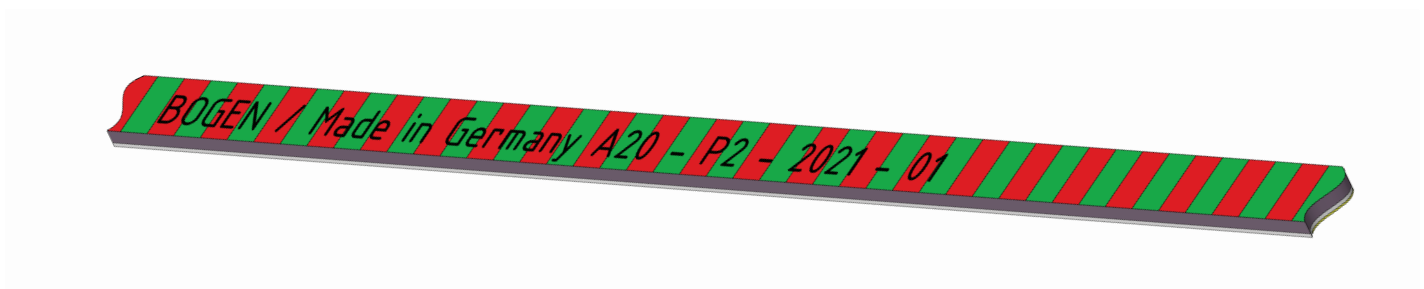
⁽⁸⁾ length of index signal available from 1 to 4

Linear and Rotary Scales

- LMS: linear magnetic scale, from a few millimeters to many meters
- LMSBI: linear magnetic scale bar incremental for high accuracy applications
- RMSI: rotary magnetic scale incremental, in diameters from 10 mm to 1 m
- standard scale width (with reference track): 8 mm and 10 mm; 6 mm on request
- available scale accuracy classes: A3, A10, A20, A40, A100
- available pole pitches: 1 mm, 2 mm, 2.54 mm, 5 mm

LMS Linear Magnetic Scales Order Code Examples

LMS-I1-L1000-W10-A20-K	linear magnetic scale number of tracks: 1 track1: incremental 1 mm pole pitch accuracy class: $\pm 20 \mu\text{m/m}$ total width: 10 mm total height: 1.43 mm total length: 1000 mm usable measuring length: 990 mm without cover tape with adhesive tape with BOGEN standard imprint
LMS-I2-L1000-W10-A20-K	linear magnetic scale number of tracks: 1 track1: Incremental 2 mm pole pitch Accuracy class: $\pm 20 \mu\text{m/m}$ total width: 10 mm total height: 1.43 mm total length: 1000 mm usable measuring length: 990 mm without cover tape with adhesive tape with BOGEN standard imprint



LMS Linear Magnetic Scales Order Code Examples

<p>LMS2-I1-Z-L1000-W10-A20-K</p>	<p>linear magnetic scale number of tracks: 2 track1: Incremental 1 mm pole pitch, 5 mm track width track2: Reference NSN reference every/at XX mm / at center, 5 mm track width accuracy class: $\pm 40 \mu\text{m}/\text{m}$ total width: 10 mm total height: 1.43 mm total length: 1000 mm usable measuring length: 990 mm without cover tape with adhesive tape with BOGEN standard imprint</p>
<p>LMS2-I2-Z-L1000-W10-A20-K</p>	<p>linear magnetic scale number of tracks: 2 track1: Incremental 2 mm pole pitch, 5 mm track width track2: Reference NSN reference every/at XX mm / at center, 5 mm track width accuracy class: $\pm 40 \mu\text{m}/\text{m}$ total width: 10 mm total height: 1.43 mm total length: 1000 mm usable measuring length: 990 mm without cover tape with adhesive tape with BOGEN standard imprint</p>

