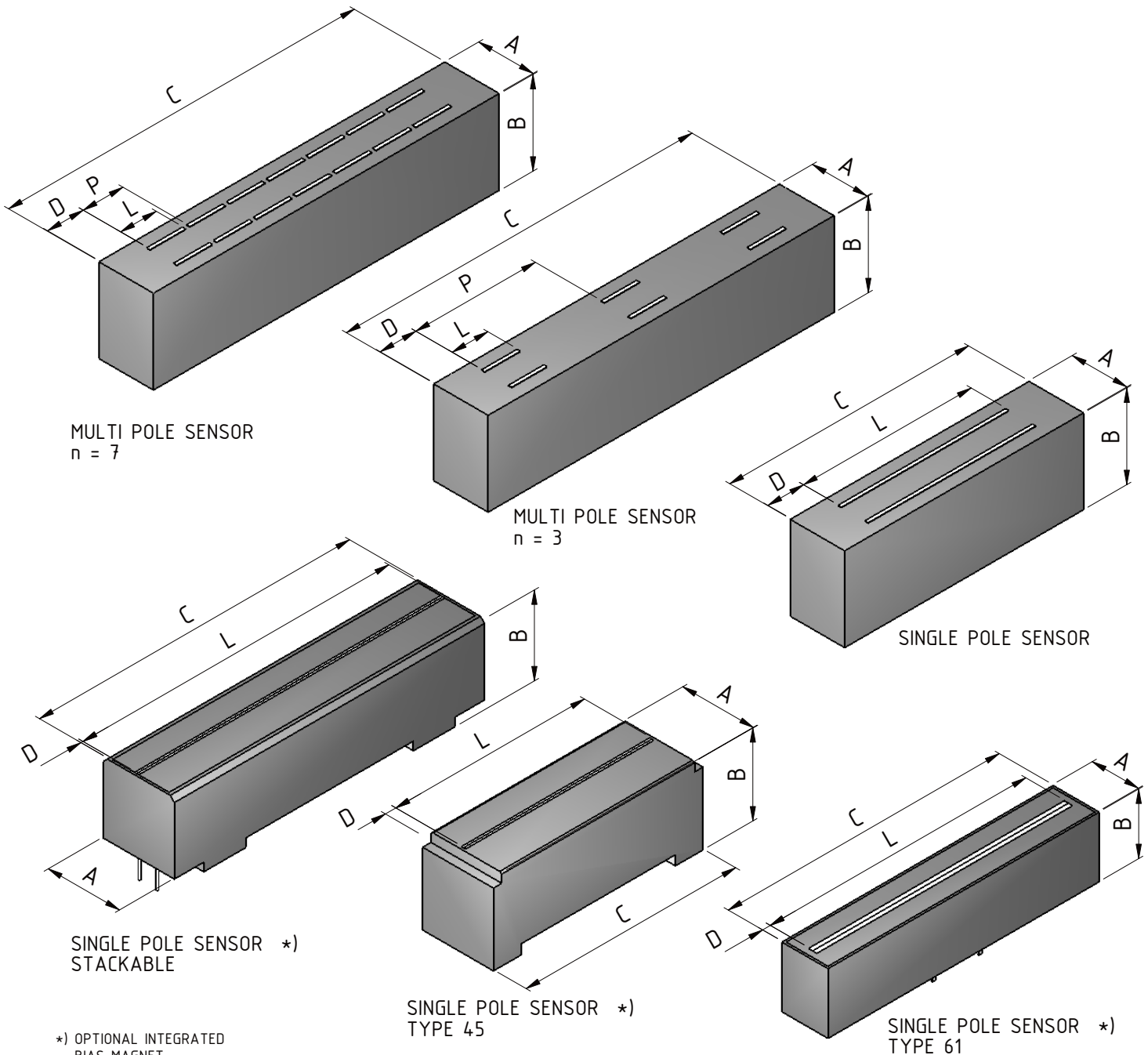


MAGNETIC PATTERN RECOGNITION

BANK NOTE VALIDATOR · MAGNETIC INK DOCUMENT READER · MAIL PROCESSING

| SENSOR TYPE | L TRACK WIDTH [mm] | P PITCH [mm] | A [mm] | B [mm] | C [mm] | D [mm] |
|-------------------------------------|-----------------------|------------------|-----------|-----------|---|------------|
| MULTI TRACK (COMPENSATION TYPE) | 1 ... 8,5 | $\geq 8,7$ | ≥ 13 | ≥ 20 | $2 \cdot D + (n-1) \cdot P + L$ (max. 120) | $\geq 8,5$ |
| | 8,5 ... 50 | $\geq (L + 0,2)$ | | | | |
| SINGLE TRACK (COMPENSATION TYPE) | 1 ... 50 | – | ≥ 13 | ≥ 20 | $2 \cdot D + L$ (max. 80) | $\geq 8,5$ |
| SINGLE TRACK STACKABLE | 8,5 ... 50 | – | ≥ 13 | ≥ 20 | $2 \cdot D + L$ | 0,5 |
| SINGLE TRACK TYPE 45 | 45 | – | 17 | 19,3 | 50 | 2,5 |
| SINGLE TRACK TYPE 61 | 61 | – | 11 | 14,4 | 64,7 | 1,85 |

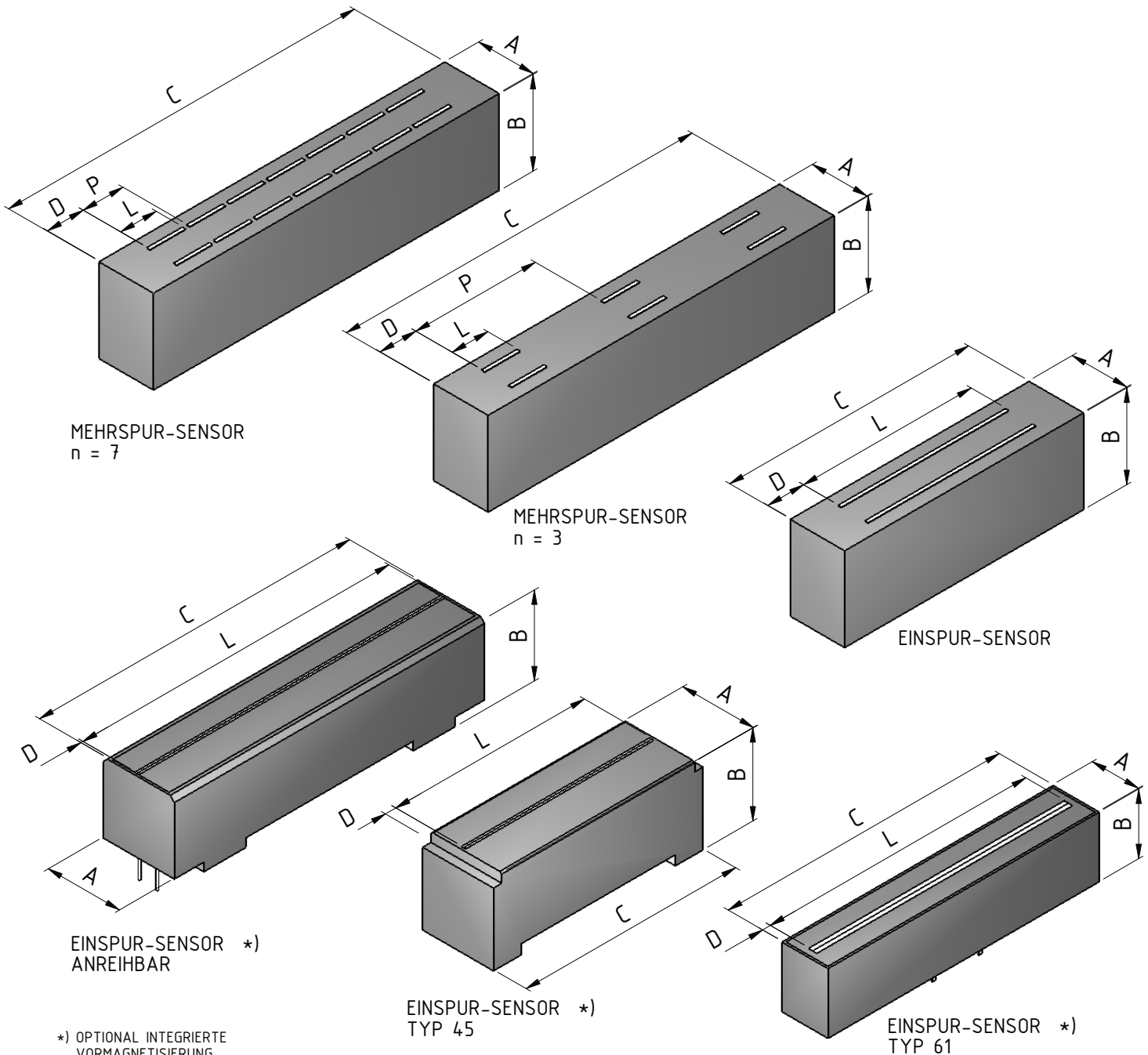


*) OPTIONAL INTEGRATED BIAS MAGNET

MAGNETISCHE MUSTERERKENNUNG

BANKNOTENSYSTEME · MAGNETSCHRIFTERKENNUNG · POSTVERARBEITUNG

| SENSORTYP | L SPURBREITE [mm] | P RASTER [mm] | A [mm] | B [mm] | C [mm] | D [mm] |
|--------------------------------|----------------------|------------------|-----------|-----------|---|------------|
| MEHRSPUR (KOMPENSATIONSTYP) | 1 ... 8,5 | $\geq 8,7$ | ≥ 13 | ≥ 20 | $2 \cdot D + (n-1) \cdot P + L$ (max. 120) | $\geq 8,5$ |
| | 8,5 ... 50 | $\geq (L + 0,2)$ | | | | |
| EINSPUR (KOMPENSATIONSTYP) | 1 ... 50 | – | ≥ 13 | ≥ 20 | $2 \cdot D + L$ (max. 80) | $\geq 8,5$ |
| EINSPUR ANREIHBAR | 8,5 ... 50 | – | ≥ 13 | ≥ 20 | $2 \cdot D + L$ | 0,5 |
| EINSPUR TYP 45 | 45 | – | 17 | 19,3 | 50 | 2,5 |
| EINSPUR TYP 61 | 61 | – | 11 | 14,4 | 64,7 | 1,85 |



*) OPTIONAL INTEGRIERTE
VORMAGNETISIERUNG